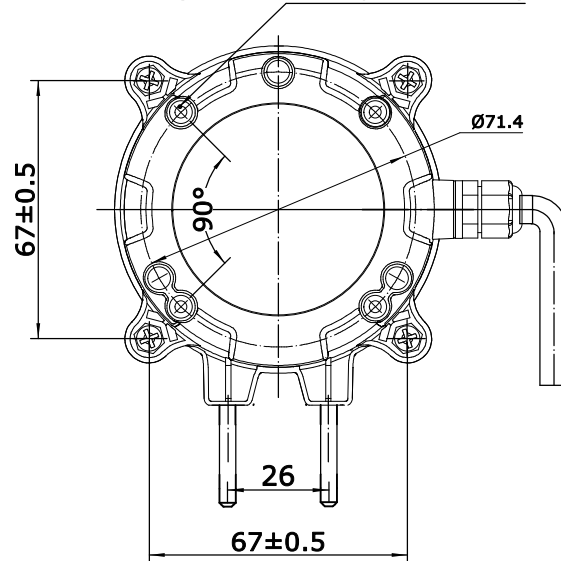
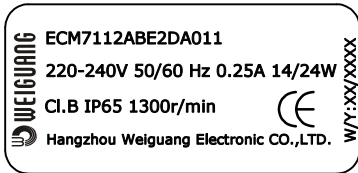


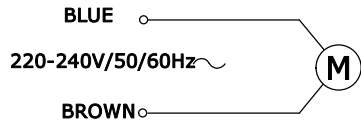
4-M4(Max screw depth is 6 mm)



LABEL



WIRE CONNECT



Electronically Commutated Motor
Hangzhou Weiguang Electronic CO.,LTD.

SPECIFICATION

MOTOR	Electronically Commutated Motor		
MOTOR TYPE	ECM7112ABE2DA011		
VOLTAGE (V)	220-240		
FREQUENCY (Hz)	50/60		
INPUT POWER (W)	24		
CURRENT (A)	0.25		
SPEED (r/min)	1300		
FAN BLADES	Φ254 / 28° (max)		
ROTATION	CCW (looking towards the shaft)		
AIRFLOW DIRECTION	Sucking or Blowing		
INSULATION CLASS	B		
TEMPERATURE RISE	50K max (with load)		
PROTECTION CLASS	IP 65		
OPERATING TYPE	S1		
MOUNTING TYPE	Horizontal or Vertical		
AMBIENT TEMPERATURE	-30°C +50°C		
BEARINGS	ball bearings		
ELECTRICAL CONNECTION	2×0.5mm ² lead wire 1050±40mm free length		
HI-POT TEST	3600V 1s		
WEIGHT PER UNIT	0.55kg		
PACKING	40PCS/CTN		

REV.	DESCRIPTION	APPROVED	DATE						
------	-------------	----------	------	--	--	--	--	--	--

	SIGN	DATE
DRN.BY		
CHD.BY		
ENG.BY		
APP.BY		

ECM7112ABE2DA011

SCALE:
SHEET: 1 of