



SPECIFICATIONS OF COMPRESSOR

Model No: C-SBN303L8A

Output : 4 HP



Reference Picture

Temporary

DALIAN SANYO COMPRESSOR Co.,Ltd.

19-Nov-10

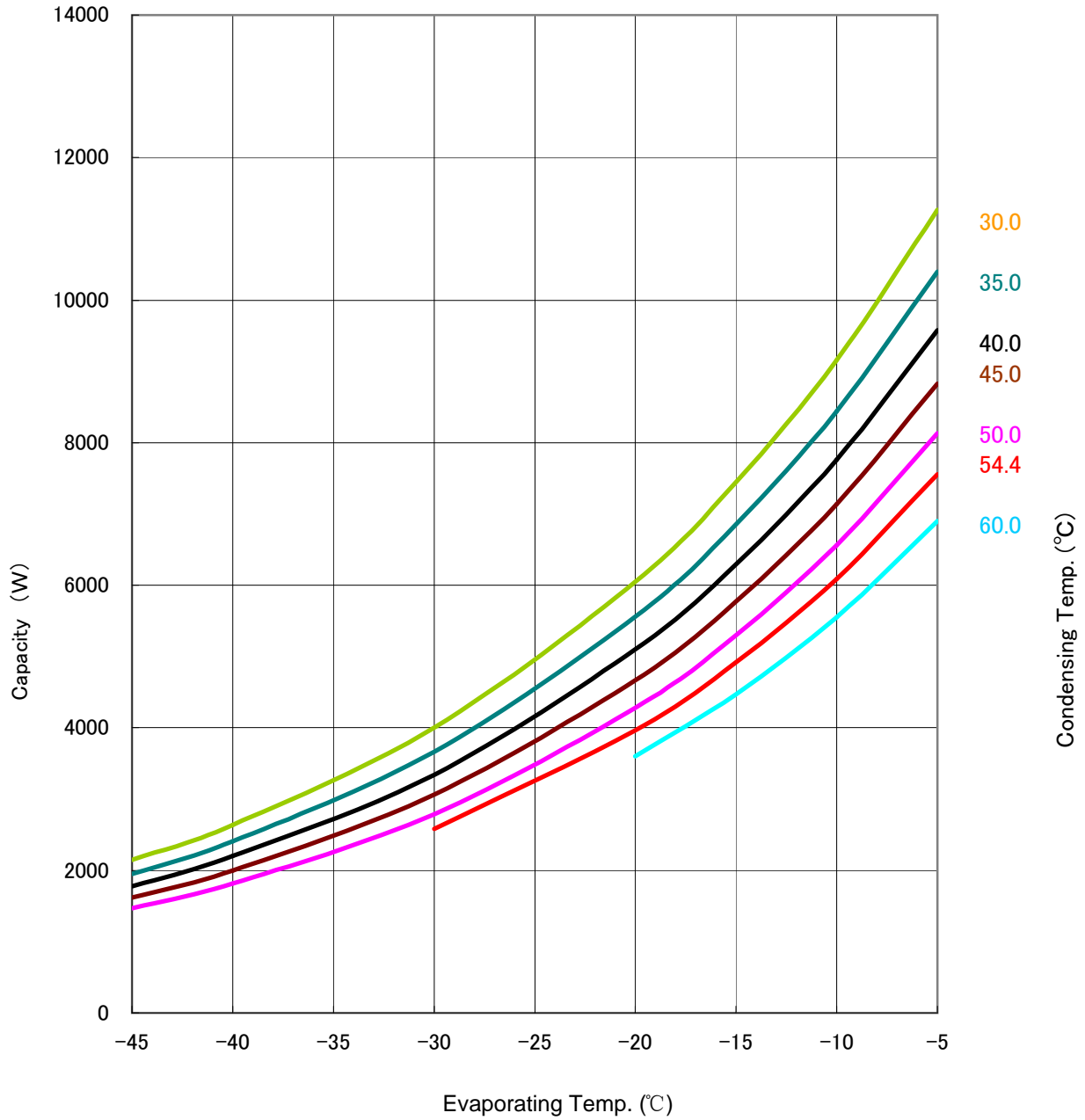
GENERAL SPECIFICATIONS

Model No:		C-SBN303L8A
Application		
Evaporating Temp Range	(°C)	-45 ~ -5
Refrigerant		R404A
Compressor Cooling		Liquid Injection
Rated Performance		
Capacity	(W)	5300
Input	(W)	3900
Current	(A)	6.93
Revolution	(min ⁻¹)	2900
Sound Level	(dB(A))	-
Rating Conditions		
Power Source		3-PH 50Hz 380V
Evaporating Temp	(°C)	-15
Condensing Temp	(°C)	50
Suction Gas Temp	(°C)	18.3
Liquid Temp	(°C)	50
Ambient Temp	(°C)	35.0
Measuring Point of Sound Level		
Distance from the Compressor	(m)	1.0
Compressor		
Design		Hermetic Scroll
Displacement	(cm ³)	66.8
Suction Line Connection	(Φ mm OD)	22.22
Discharge Line Connection	(Φ mm OD)	12.7
Oil	(ml)	1700 (FV32S)
Mass(Incl.Oil)	(kg)	37.2
Motor		
Type		3-PH Induction Motor(3IR)
Pole		2
Rated Power Source		3-PH 50Hz 380~415V/60 Hz 440~460V
Voltage Range	(V)	342~418/396~484
Starting Current	(A)	

DALIAN SANYO COMPRESSOR Co.,Ltd.

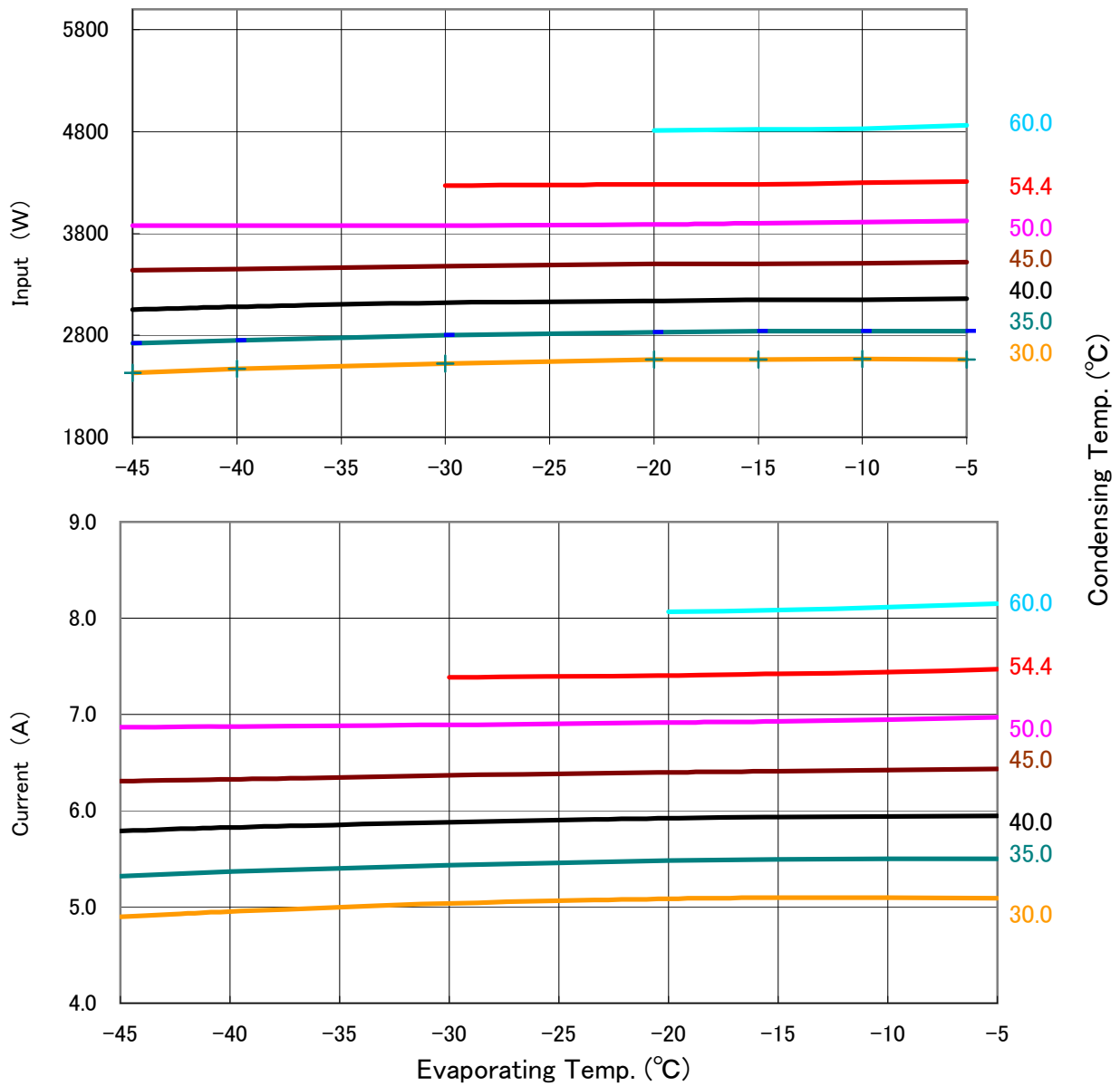
PERFORMANCE CURVE

Model	C-SBN303L8A
Power Source	3-PH 50Hz 380V
Condensing Temp.(°C)	30、35、40、45、50、54.4、60
Suction Gas Temp(°C)	18.3
Sub Cooled(K)	0
Compressor Cooling	Liquid Injection
Refrigerant	R404A



PERFORMANCE CURVE

Model	C-SBN303L8A
Power Source	3-PH 50Hz 380V
Condensing Temp.(°C)	30、35、40、45、50、54.4、60
Suction Gas Temp(°C)	18.3
Sub Cooled(K)	0
Compressor Cooling	Liquid Injection
Refrigerant	R404A



PERFORMANCE DATA

Model	C-SBN303L8A
Power Source	3-PH 50Hz 380V
Condensing Temp.(°C)	30、35、40、45、50、54.4、60
Suction Gas Temp(°C)	18.3
Sub Cooled(K)	0
Compressor Cooling	Liquid Injection
Refrigerant	R404A

Capacity (W)

		Evaporating Temp. (°C)						
		-45	-40	-30	-20	-15	-10	-5
Condensing Temp. (°C)	30	2,150	2,640	4,000	6,050	7,450	9,160	11,270
	35	1,950	2,410	3,660	5,560	6,850	8,440	10,400
	40.0	1,780	2,200	3,340	5,100	6,290	7,760	9,580
	45.0	1,620	2,000	3,060	4,670	5,770	7,140	8,830
	50.0	1,470	1,820	2,790	4,280	5,300	6,560	8,130
	54.4			2,580	3,960	4,920	6,090	7,560
	60.0				3,600	4,470	5,550	6,900

Input (W)

		Evaporating Temp. (°C)						
		-45	-40	-30	-20	-15	-10	-5
Condensing Temp. (°C)	30	2,430	2,470	2,520	2,560	2,560	2,570	2,560
	35	2,720	2,750	2,800	2,830	2,840	2,840	2,840
	40.0	3,050	3,080	3,120	3,140	3,150	3,150	3,160
	45.0	3,440	3,450	3,480	3,500	3,500	3,510	3,520
	50.0	3,880	3,880	3,880	3,890	3,900	3,910	3,920
	54.4			4,270	4,280	4,280	4,300	4,310
	60.0				4,810	4,820	4,830	4,860

Current (A)

		Evaporating Temp. (°C)						
		-45	-40	-30	-20	-15	-10	-5
Condensing Temp. (°C)	30	4.9	5.0	5.0	5.1	5.1	5.1	5.1
	35	5.3	5.4	5.4	5.5	5.5	5.5	5.5
	40.0	5.8	5.8	5.9	5.9	5.9	5.9	5.9
	45.0	6.3	6.3	6.4	6.4	6.4	6.4	6.4
	50.0	6.9	6.9	6.9	6.9	6.9	6.9	7.0
	54.4			7.4	7.4	7.4	7.4	7.5
	60.0				8.1	8.1	8.1	8.2

Coefficients of Polynominal Formula

	Capacity (W)	Input (W)	Current (A)
C1	1.520301E+04	1.853905E+03	3.806906E+00
C2	5.890197E+02	3.188418E+00	1.278381E-02
C3	-1.252557E+02	2.197686E+00	3.206161E-02
C4	9.509772E+00	7.822298E-02	1.779073E-04
C5	-3.617419E+00	3.211359E-01	1.955143E-05
C6	3.956497E-01	8.231721E-01	6.662086E-04
C7	6.145632E-02	-9.189123E-05	-7.337916E-08
C8	-2.929807E-02	-1.800877E-05	-2.033179E-06
C9	8.503455E-03	-5.274985E-03	-2.233926E-06
C10	2.416549E-08	1.977846E-09	1.138749E-11

Note: The polynomial coefficients subject to change without notice.

$$X = C1 + C2*(S) + C3*D + C4*(S^2) + C5*(S*D) + C6*(D^2) + C7*(S^3) + C8*(D*S^2) + C9*(S*D^2) + C10*(D^3)$$

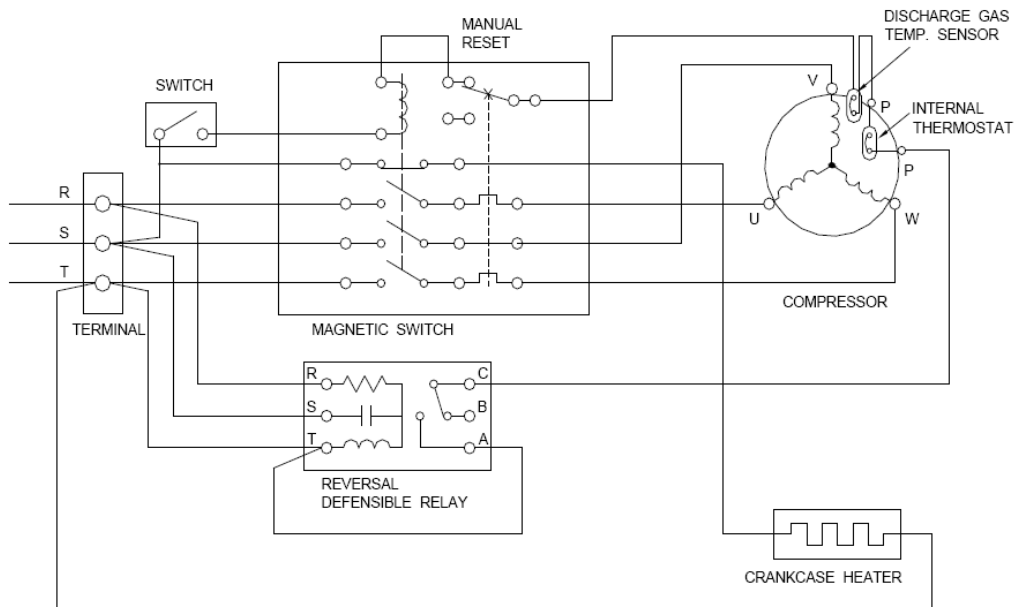
X—CAPACITY(W) OR POWER(W) OR CURRENT(A)

S—EVAPORATING TEMP, °C

D—CONDENSING TEMP, °C

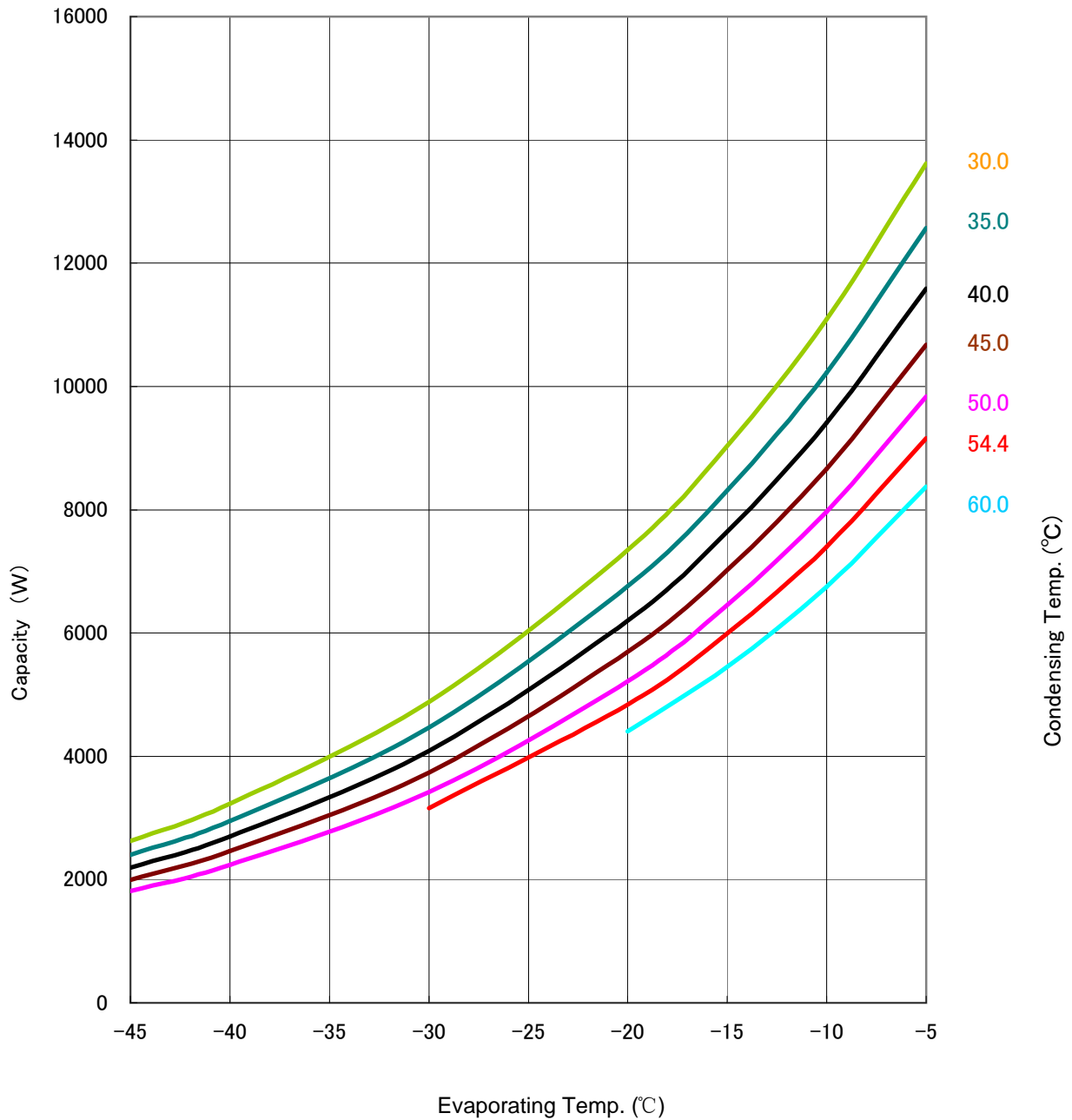
WIRING DIAGRAM

C-SB Series 3 phase
2.6-3.75kw
Chinese and Europe
power supply
specifications
models



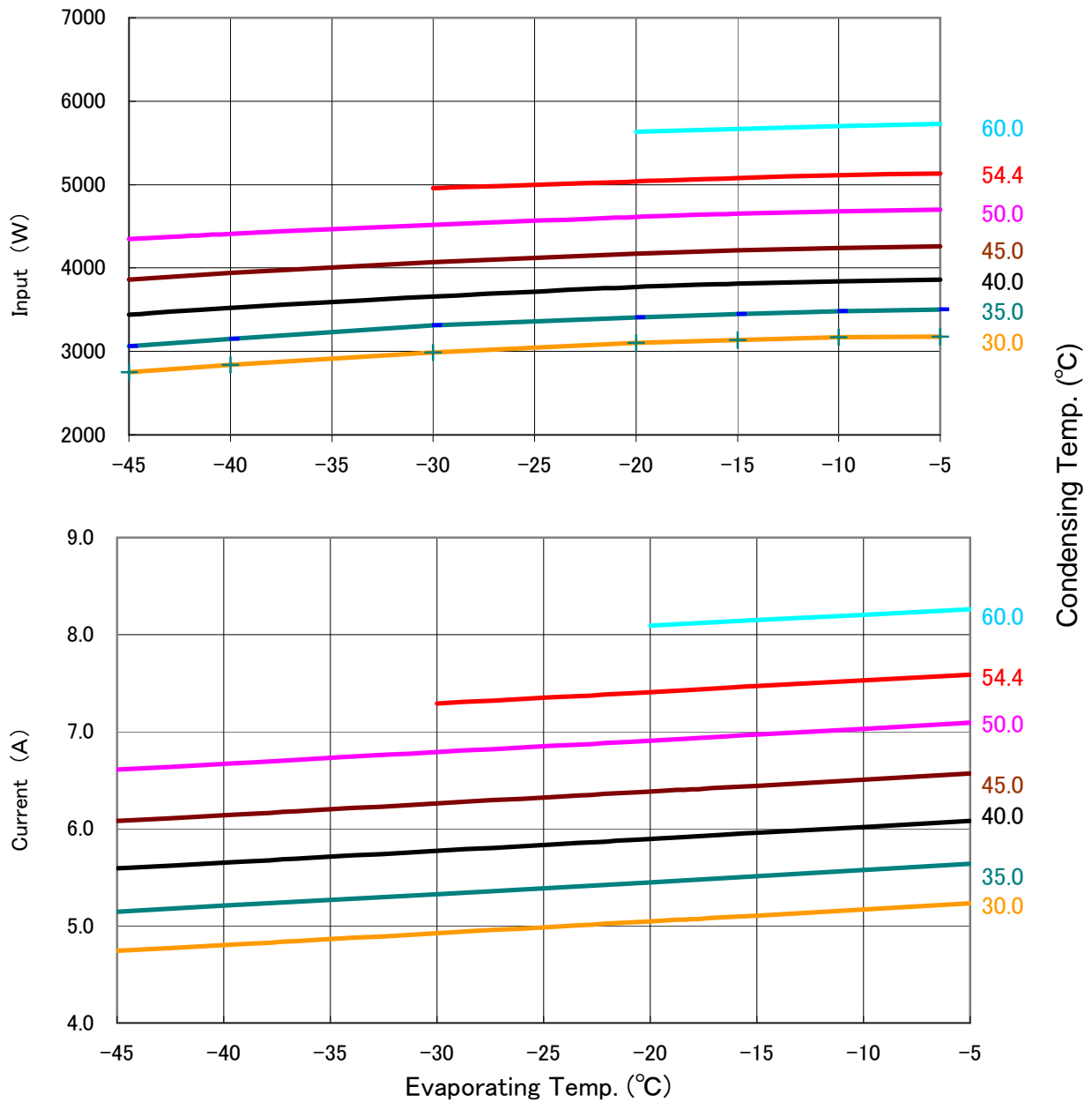
PERFORMANCE CURVE

Model	C-SBN303L8A
Power Source	3-PH 60Hz 440V
Condensing Temp.(°C)	30、35、40、45、50、54.4、60
Suction Gas Temp(°C)	18.3
Sub Cooled(K)	0
Compressor Cooling	Liquid Injection
Refrigerant	R404A



PERFORMANCE CURVE

Model	C-SBN303L8A
Power Source	3-PH 60Hz 440V
Condensing Temp.(°C)	30、35、40、45、50、54.4、60
Suction Gas Temp(°C)	18.3
Sub Cooled(K)	0
Compressor Cooling	Liquid Injection
Refrigerant	R404A



PERFORMANCE DATA

Model	C-SBN303L8A
Power Source	3-PH 60Hz 440V
Condensing Temp.(°C)	30、35、40、45、50、54.4、60
Suction Gas Temp(°C)	18.3
Sub Cooled(K)	0
Compressor Cooling	Liquid Injection
Refrigerant	R404A

Capacity (W)

		Evaporating Temp. (°C)						
		-45	-40	-30	-20	-15	-10	-5
Condensing Temp. (°C)	30	2,630	3,230	4,880	7,350	9,030	11,090	13,620
	35	2,400	2,950	4,470	6,760	8,310	10,220	12,570
	40.0	2,190	2,700	4,090	6,200	7,640	9,410	11,590
	45.0	1,990	2,460	3,740	5,690	7,020	8,660	10,680
	50.0	1,810	2,240	3,420	5,220	6,450	7,970	9,840
	54.4			3,160	4,840	5,990	7,400	9,160
	60.0				4,400	5,450	6,750	8,370

Input (W)

		Evaporating Temp. (°C)						
		-45	-40	-30	-20	-15	-10	-5
Condensing Temp. (°C)	35	2,750	2,840	2,990	3,100	3,140	3,170	3,180
	40.0	3,060	3,150	3,310	3,410	3,450	3,480	3,500
	45.0	3,440	3,520	3,660	3,770	3,810	3,840	3,860
	50.0	3,860	3,940	4,070	4,170	4,210	4,240	4,260
	54.4	4,350	4,410	4,520	4,610	4,650	4,680	4,700
	60.0			4,960	5,040	5,080	5,110	5,130
	65.0				5,630	5,670	5,700	5,730

Current (A)

		Evaporating Temp. (°C)						
		-45	-40	-30	-20	-15	-10	-5
Condensing Temp. (°C)	35	4.7	4.8	4.9	5.0	5.1	5.2	5.2
	40.0	5.1	5.2	5.3	5.4	5.5	5.6	5.6
	45.0	5.6	5.7	5.8	5.9	6.0	6.0	6.1
	50.0	6.1	6.1	6.3	6.4	6.4	6.5	6.6
	54.4	6.6	6.7	6.8	6.9	7.0	7.0	7.1
	60.0			7.3	7.4	7.5	7.5	7.6
	65.0				8.1	8.1	8.2	8.3

Coefficients of Polynominal Formula

	Capacity (W)	Input (W)	Current (A)
C1	2.571291E+04	1.898481E+03	3.424359E+00
C2	9.195272E+02	-1.641715E+01	1.548892E-02
C3	-3.483098E+02	1.042203E+01	2.837048E-02
C4	1.285856E+01	-4.715993E-01	8.332716E-05
C5	-9.893481E+00	5.768550E-01	-4.363027E-05
C6	1.545844E+00	7.456671E-01	7.174439E-04
C7	6.945011E-02	-2.417642E-04	3.034755E-07
C8	-7.270525E-02	6.220081E-03	-1.194751E-06
C9	3.208392E-02	-4.040634E-03	-2.860902E-07
C10	-7.878556E-08	6.965821E-09	1.202736E-11

Note: The polynomial coefficients subject to change without notice.

$$X=C1+C2*(S)+C3*D+C4*(S^2)+C5*(S*D)+C6*(D^2)+C7*(S^3)+C8*(D*S^2)+C9*(S*D^2) +C10*(D^3)$$

X—CAPACITY(W) OR POWER(W) OR CURRENT(A)

S—EVAPORATING TEMP, °C

D—CONDENSING TEMP, °C

Operating Envelope

Suction Gas Temp: 18.3°C

Refrigerant: R404A

